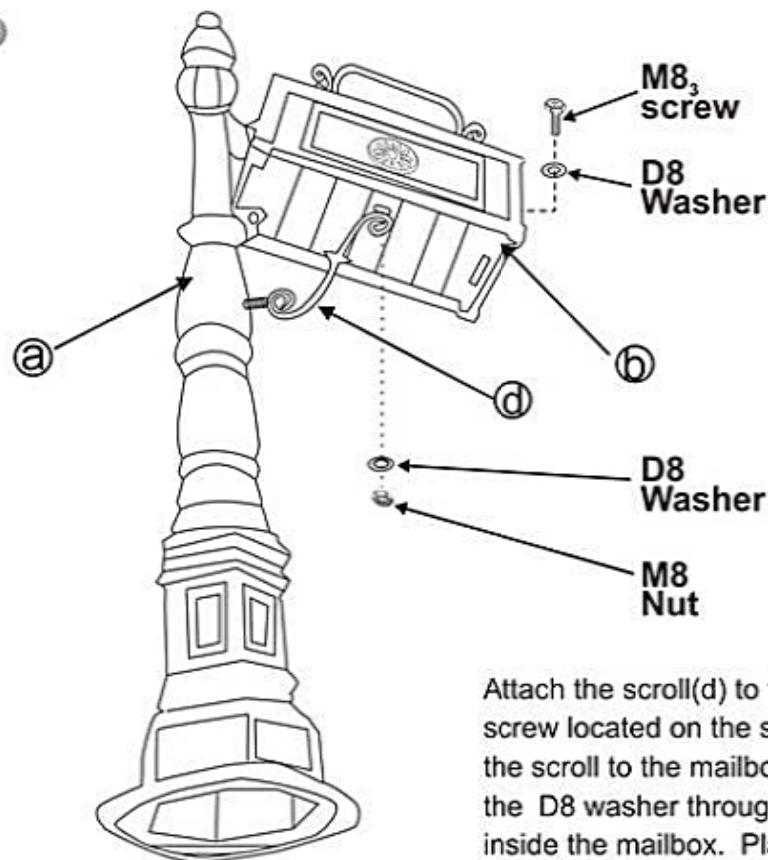


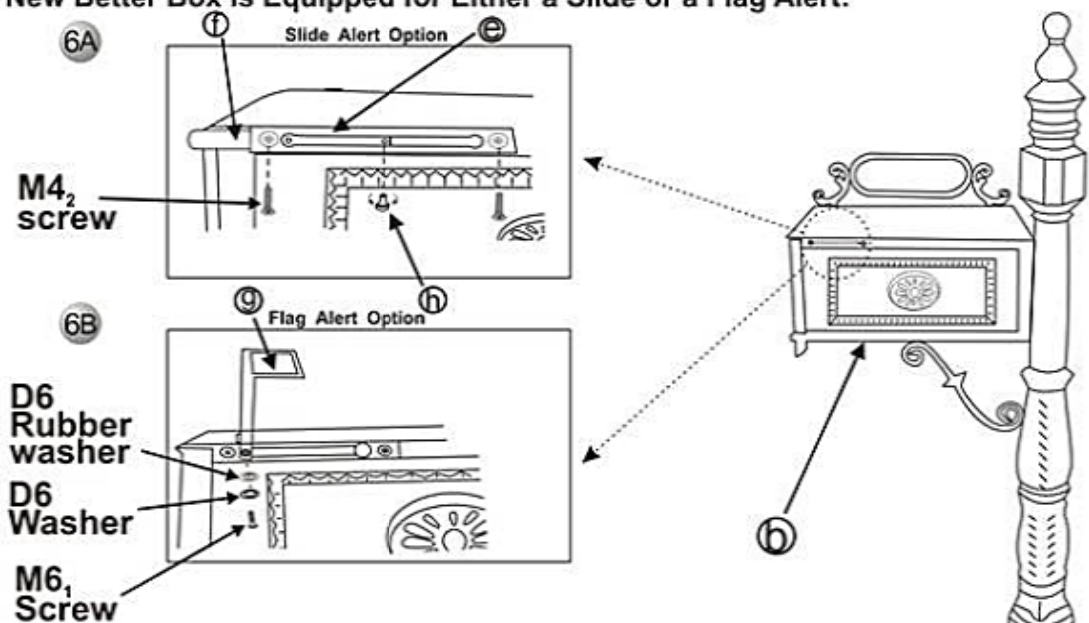
Better Box Assembly Instructions

5



Attach the scroll(d) to the post(a) by placing the welded screw located on the scroll into the hole on the post. Secure the scroll to the mailbox(b) by inserting the M8₃ screw and the D8 washer through the mailbox and the scroll from inside the mailbox. Place D8 washer and M8 nut over the bolt and tighten.

Your New Better Box is Equipped for Either a Slide or a Flag Alert:



6A; Slide Alert Option: Insert the slide alert(f) into the slide alert housing(e) and secure with the small brass knob(h).

6B; Flag Alert Option: Attach the flag(g) to the mailbox with the M6₁ screw by placing a D6 washer, a D6 rubber washer and the flag(g) on the M6₁ screw. After the flag(g), place another D6 rubber washer and a D6 washer on the M6₁ screw and attach the flag to the mailbox.

BETTER BOX MAILBOX POST MOUNTING INSTRUCTIONS

Your new Better Box Mailbox post can be mounted directly onto a sidewalk with 4 additional anchors and bolts. Or, you can install your new post directly into your yard by digging a hole 14" x 14" x 4' deep with a level bottom. After leveling the post in the hole, pour in 40^{lb} of mixed concrete and let it set overnight. Tomorrow you can replace the top soil and mount your new Better Box Mailbox.