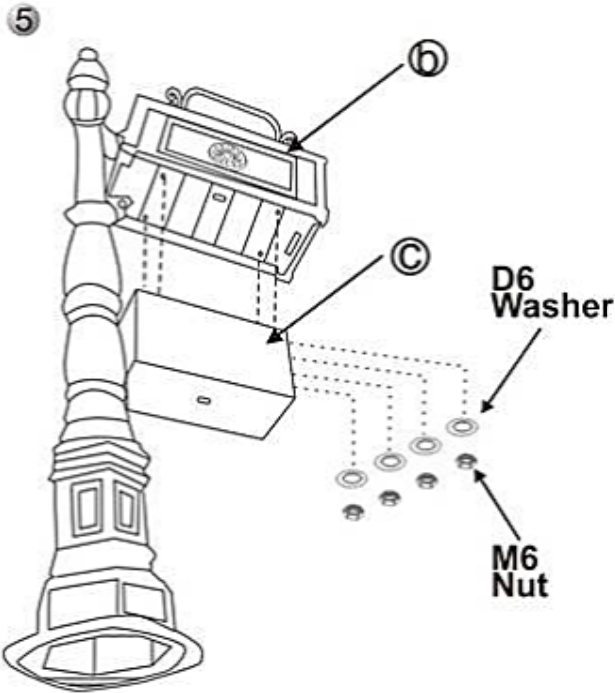
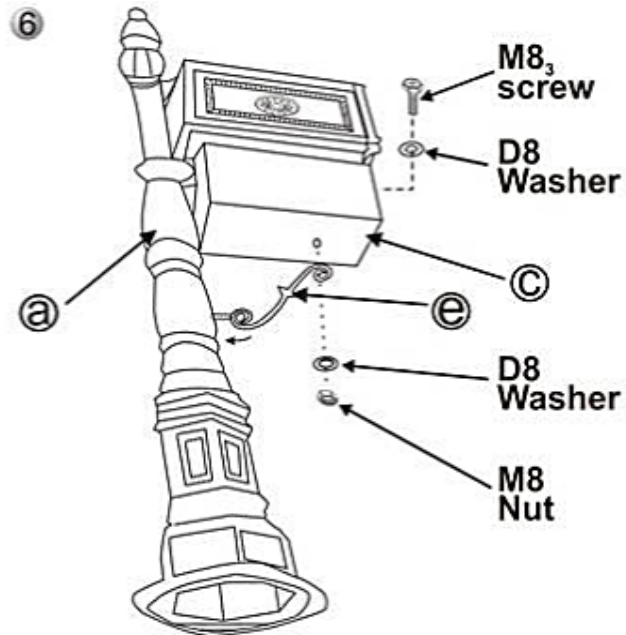


# Better Box Mailbox with Paper Box Assembly Instructions

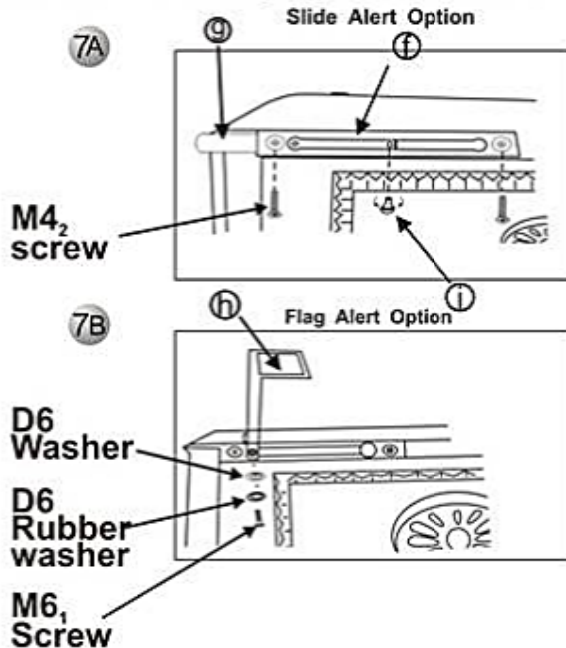


Mount the paper box(c) to the bottom of the mailbox(b) with 4 D6 washers and 4 M6 nuts.



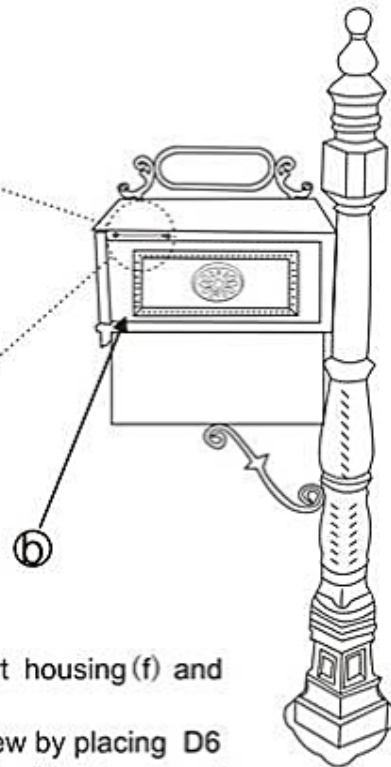
Attach the scroll(e) to the post(a) by placing the welded screw located on the scroll(e) into the hole on the post(a). Secure the scroll(e) to the paper box(c) by inserting the M8<sub>3</sub> screw and the D8 washer through the paper box(c) and the scroll from inside the paper box(c). Place the D8 washer and the M8 nut over the bolt and tighten.

## Your New Better Box is Equipped for Either a Slide or a Flag Alert.



7A; Slide Alert Option: Insert the slide alert(g) into the slide alert housing(f) and secure with the small brass knob(i).

7B; Flag Alert Option: Attach the flag(h) to the mailbox with M6<sub>1</sub> screw by placing D6 washer, D6 rubber washer and the flag(h) on M6<sub>1</sub> screw. After the flag(h), place another D6 rubber washer and a D6 washer on the M6<sub>1</sub> screw and attach the flag to the mailbox.



## BETTER BOX MAILBOX POST MOUNTING INSTRUCTIONS

Your new Better Box Mailbox post can be mounted directly onto a sidewalk with 4 additional anchors and bolts. Or, you can install your new post directly into your yard by digging a hole 14" x 14" x 4" deep with a level bottom. After leveling the post in the hole, pour in 40# of mixed concrete and let it set overnight. Tomorrow you can replace the top soil and mount your new Better Box Mailbox.